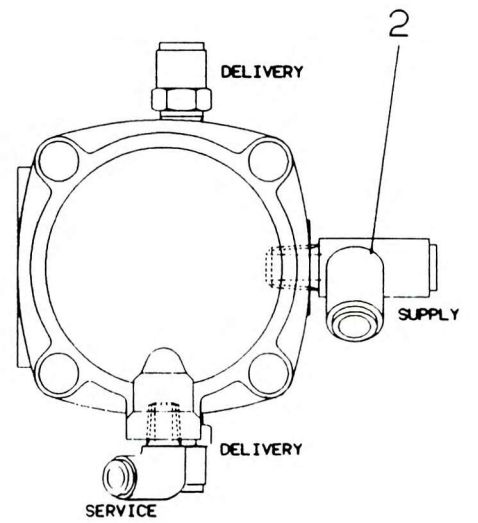
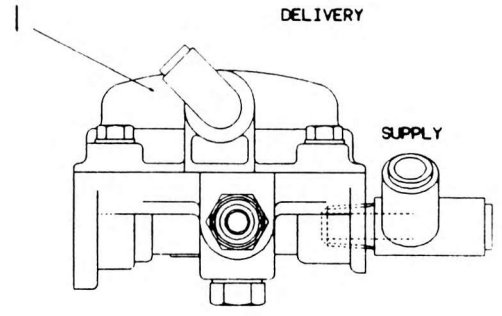
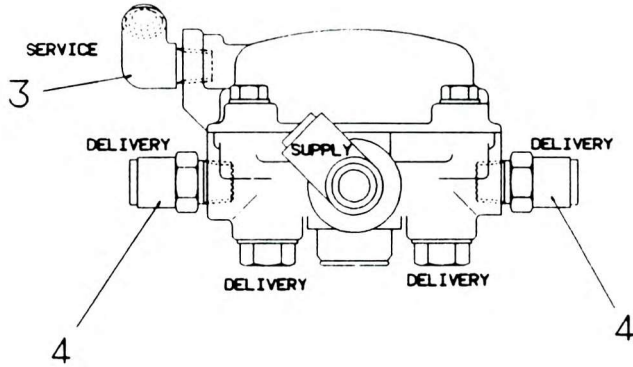


RELAY VALVE SUB ASSEMBLY SECONDARY



NO.	PART NO.	QTY.	DESCRIPTION	NO.	PART NO.	QTY.	DESCRIPTION
1 +	7-926-990157	1	Relay Valve				
2	7-443-990988	1	Adaptor (To Supply Port)				
3	7-443-991022	1	Elbow Adaptor (To Service Port)				
4	7-443-990969	2	Adaptor $\frac{3}{8}$ " x $\frac{1}{2}$ " (To Delivery Ports)				

+ See further breakdown in this group